



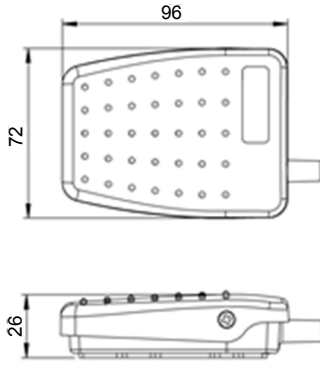
Special dual-pedal version of 6226 series footswitch with 6244 haptic puckswitch assembled in modular base system with IPX7 rating

Specifications	
Standards/approvals	EN 60601-1:2006+A1:2013+A12:2014 IEC 60601-1:2005+A1:2012 ANSI /AAMI ES60601-1: A1:2012, C1:2009/(R)2012 & A2:2010/(R)2012 CAN/CSA-C22.2 No 60601-1:14 UL File No. E353500
Degree of protection	EN 60529 IPX7 (IPX8 upon request)
Connection method	2m of cable and Heyco gland
Electrical rating	Footswitch - 3A 24V AC/DC Puckswitch - 3A 24V AC/DC
Contact configuration	Normally Open contacts
Operating temperature range	10° C to 50° C
Storage temperature range	-20° C to +50° C
Body material	Thermoplastic
Weight	1 kg (including cable)
Additional information	Footswitch - Customized versions available (logos, cordsets, colours, guards) Base - Lift bars, guards and cable exit options as well as handles, dividers and steel base plate.

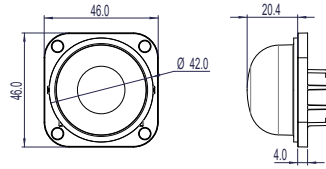


Dimensions

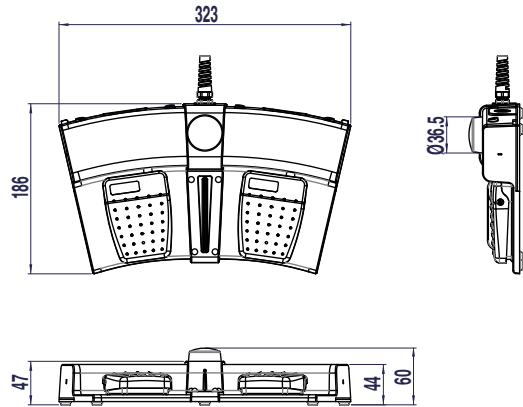
Footswitch



Puckswitch



Modular base



Accessories



- ▶ Bluetooth® switching versions available
- ▶ Lift bars, guards and cable exit options can be specified
- ▶ Handles, dividers and steel base plate options specified