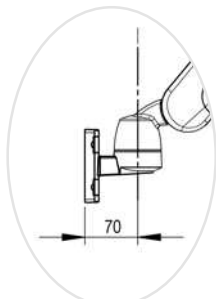


TECHNICAL DATA If-port

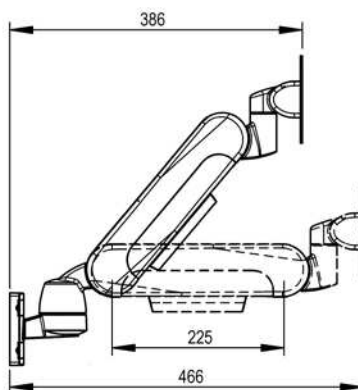
Infrastructure

Length specifications and dimensions – If-port

L 225 mm

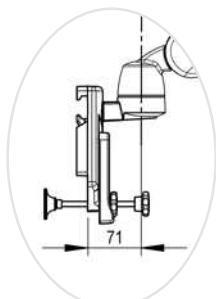


ITD extrusion

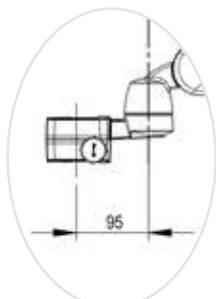
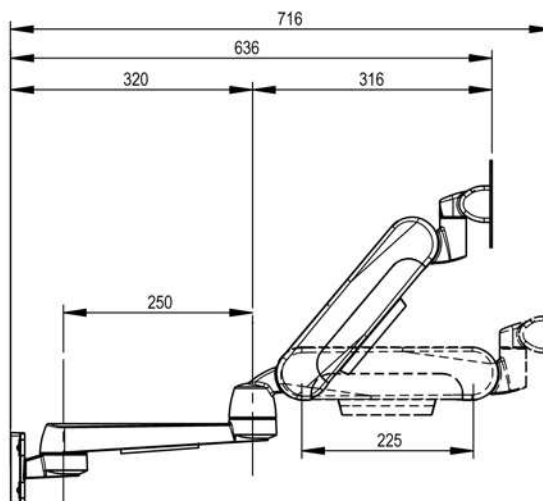


Length specifications and dimensions – If-port on pivot arm

L 225 mm + 250 mm

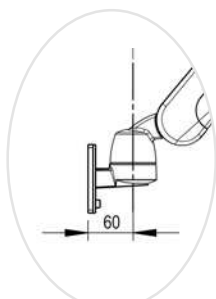


Standard runner

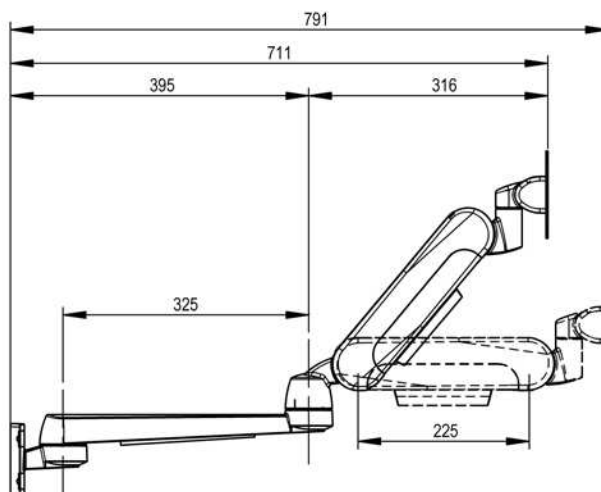


Pole Ø 25-42 mm

L 225 mm + 325 mm



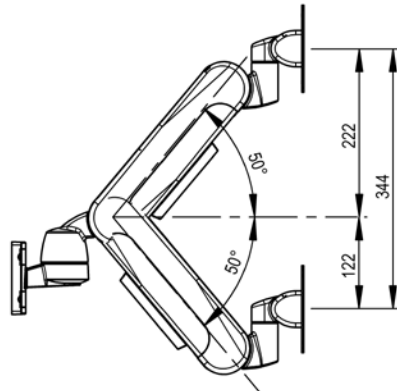
Channel GCX



TECHNICAL DATA If-port

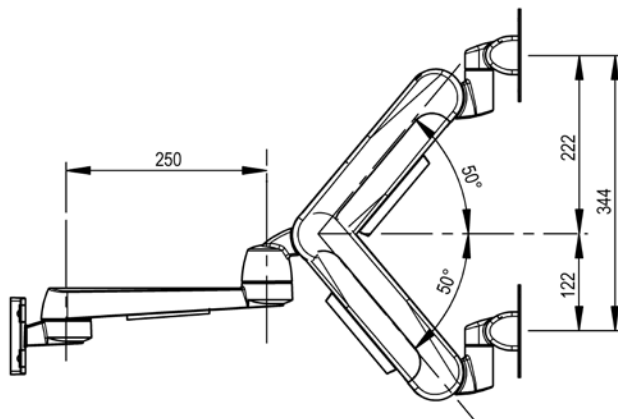
Adjustment range – If-port

L 225 mm



Adjustment range – If-port on pivot arm

L 225 mm + 250 mm



L 225 mm + 325 mm

