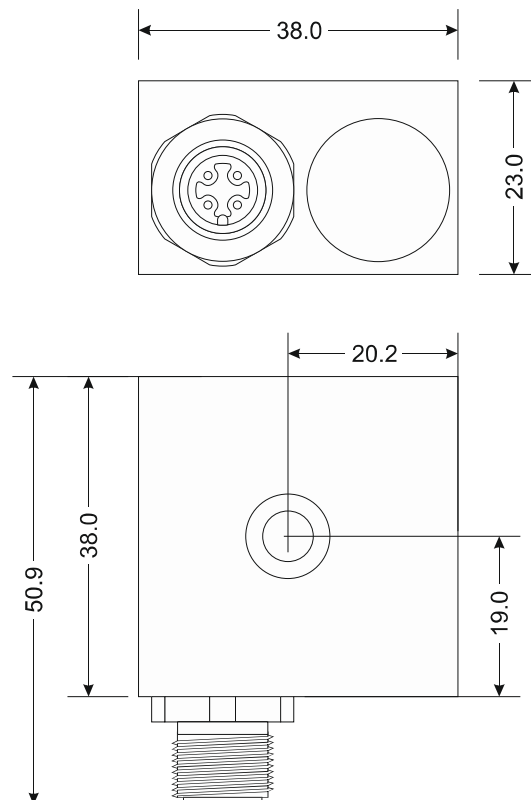


General purpose top-entry constant current accelerometer with 3 isolated AC outputs (X,Y and Z axes) and a 4 pin M12 connector. Internal electronics are isolated to minimise noise with increased bias voltage stability. Ideal for any application where vibration in all three spatial axes needs to be measured.

## MTN/1330



## Dimensions



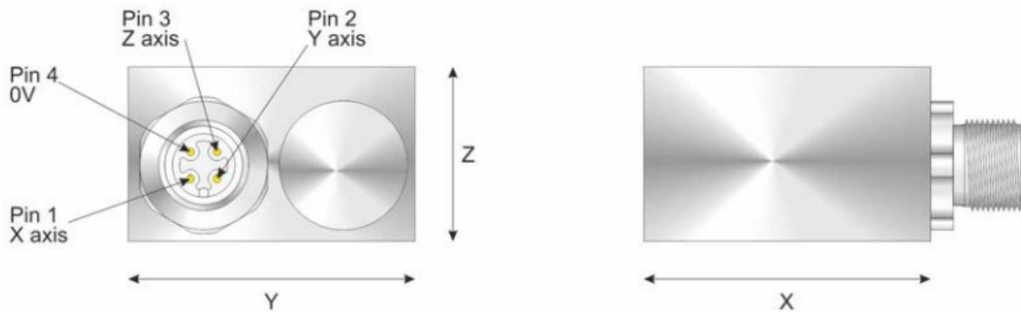
## Applications

- Aerospace
- Automotive
- Research and development

## Technical

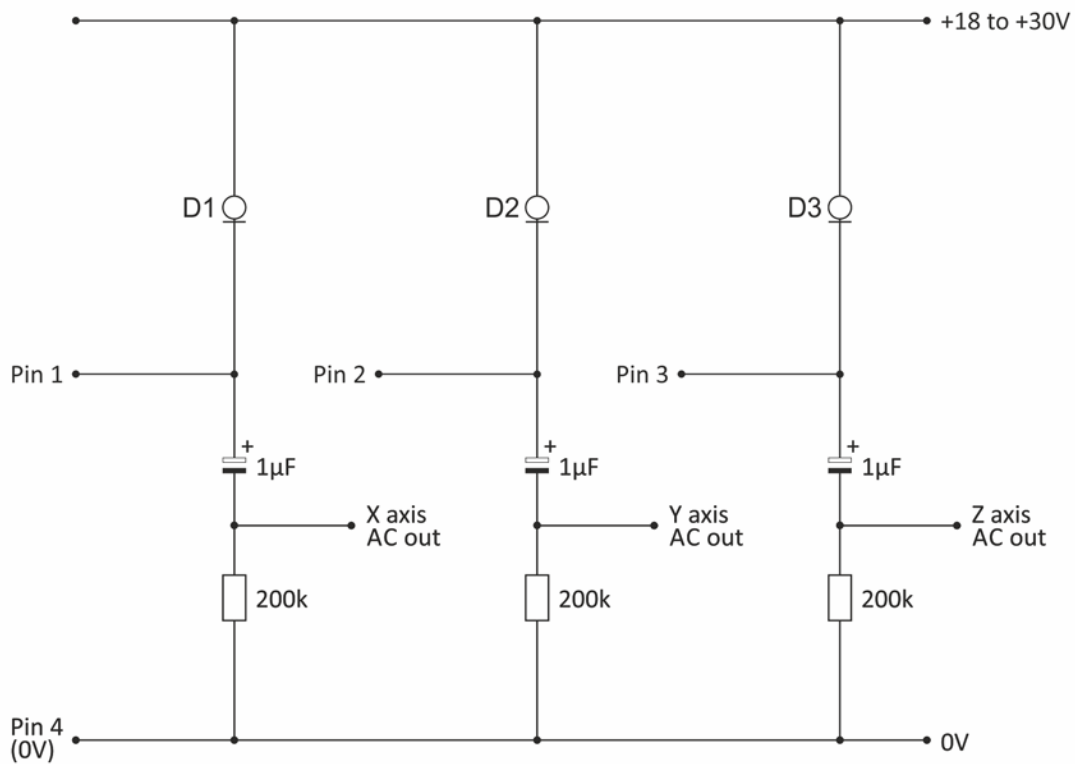
Standard sensitivity	100mV/g $\pm$ 10% nominal @ 80Hz
Frequency response	2 Hz to 9 kHz $\pm$ 5% (-3 dB @ 0.8 Hz)
Isolation	Base isolated
Transverse sensitivity	<10%
Acceleration range	$\pm$ 80g
Operating temperature	-25 to 125°C
Bias voltage	12VDC (nominal)
Case material	Stainless steel (Aluminium optional)
Mounting	1 point M6x25 cap head (supplied)
Connector	4 pin M12
Weight	100g (nominal)
Sealing	IP66

Pin connections



System connection

Constant current source circuit



D1;D2;D3 Constant current diode (0.5-8.0mA)