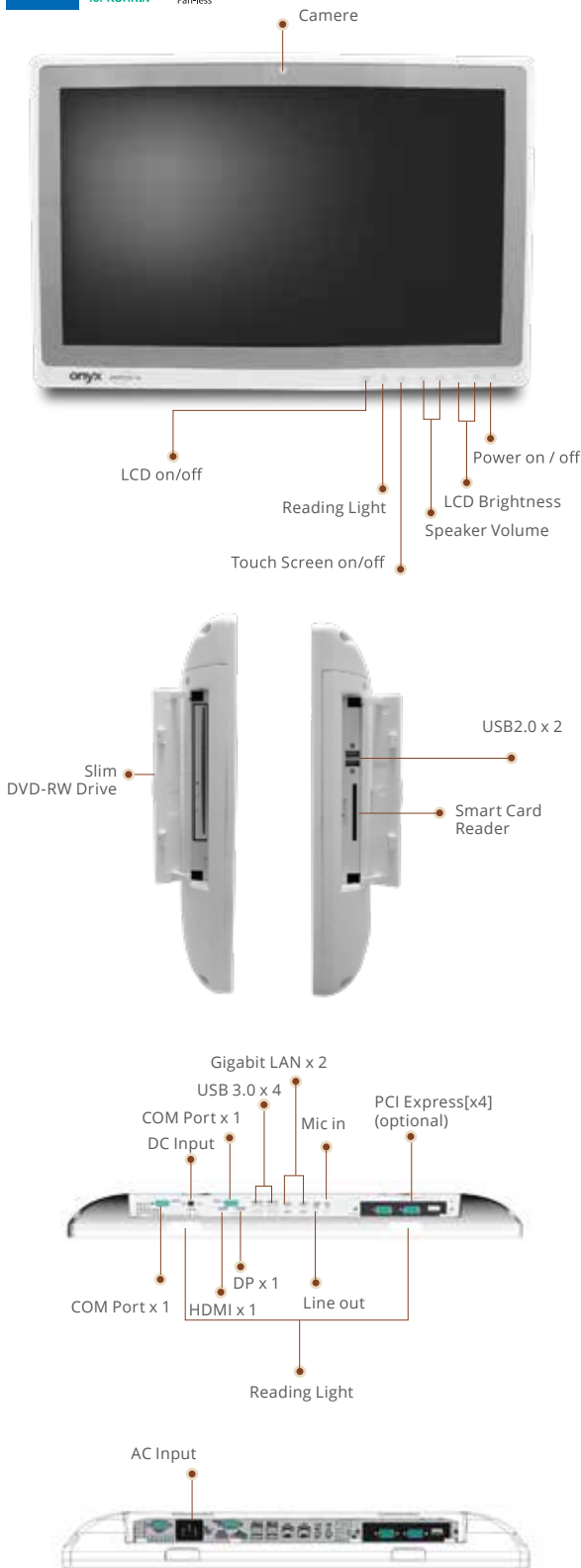


Powerful Medical All in One PC

MATE-2205

22" Fanless 9th Generation Core i7 Powerful Medical All in One PC



Features

- Intel® 9th Generation Core™ i7/ i5 / i3 Processor
- Supports Dual Channel DDR4 2666 SODIMM up to 64GB
- 22" Full HD High Contrast LCD
- Capacitive Multi-Touch Screen
- Two Gigabit Ethernet
- High Speed USB 3.0 Ports
- RS-232 x 2
- 5MP Camera with Mic (optional)
- PCI-Express [x4] x 1 (optional)
- 25Wh Backup Battery (optional)

Specifications

MAIN SPECIFICATIONS

Processor	Intel® 9th Generation Core i7-9700TE 8 Cores 3.8GHz Intel® 9th Generation Core i5-9500TE 6 Cores 3.6GHz
System Memory	Supports Dual Channel DDR4 2666 SODIMM up to 64GB
Chipset	Intel® H310
OS Support	Windows® 10, Linux®
Storage Disk Drive	2.5" SATA Hard Disk Drive/SSD x 1 M.2 2242 SSD x 1 Slim DVD-RW Drive x 1 (optional)
Security	Trusted Platform Module 2.0, RFID Reader (optional) Smart Card Reader x 1 (optional)
Wireless Communication	802.11 ac/a/b/g/n(optional), Bluetooth 4.1 / 5(optional)
Speaker	5W x 2
Function Key	Speaker Volume Up/Down, LCD Brightness Up/Down LCD On/Off, Touch Screen On/Off, Reading Light On/Off
Power Requirement	DC 12V / DC 24V when backup battery is installed/ AC 80~264V

DISPLAY

Size / Type	22" LCD
Max. Resolution	1920 x 1080
Luminance(cd/m2)(TYP)	250 nits
Viewing Angle	178°(H)/178°(V)
Contrast Ratio	1000:1
Back Light Life Time	50,000 Hours
Touch Screen	Capacitive Multi-Touch

I/O

USB	USB 3.0 x 4, USB 2.0 x 2
Serial Port	RS-232 x 2
Ethernet	1.5KV Isolated Gigabit LAN x 2
Video Out	Display Port 1.2 x1, HDMI 1.4b x 1 (Supports resolution up to 3840 x 2160)
Audio	Mic-in, Line-out

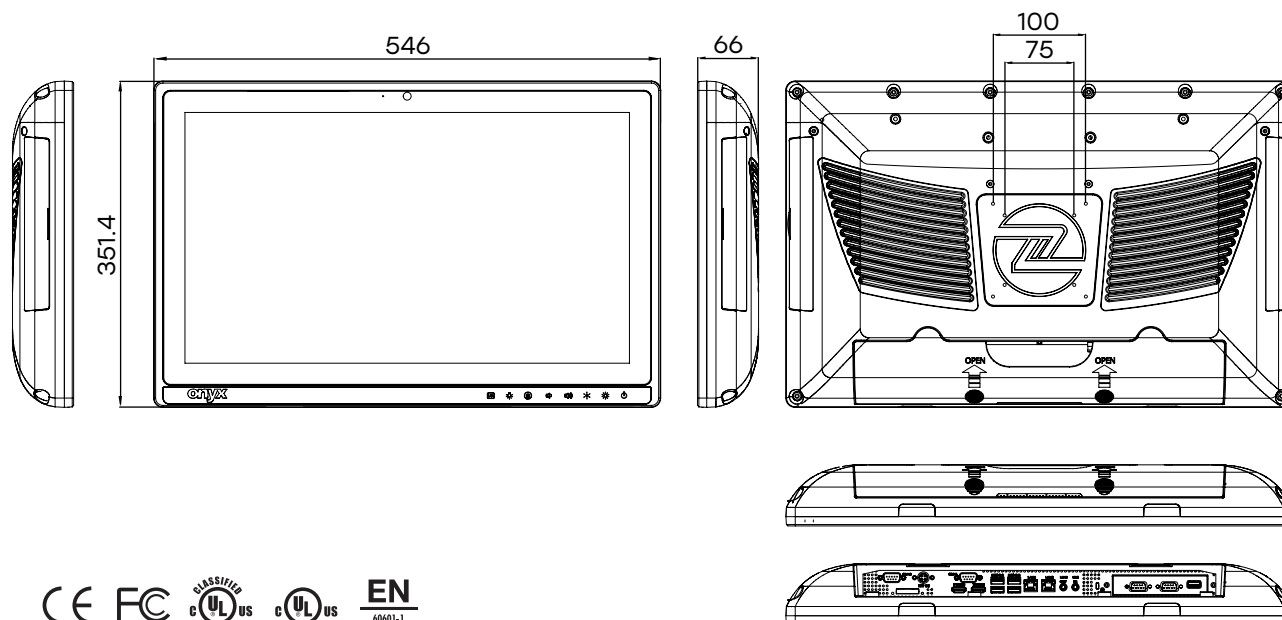
MECHANICAL AND ENVIRONMENTAL

Operating Temperature	0°C ~ 35°C(32°F ~ 95°F)
Storage Temperature	-20°C ~ 60°C(-4°F ~ 140°F)
Mounting VESA	75/100 mm
Degree of Protection	IP65 in the front ; IP54 in the back
Dimension	546 x 352 x 66mm
Package Size	750 x 220 x 490 mm
Gross Weight	12 kg (26.45 lb)
Net Weight	8 kg (17.63 lb)

Certifications	CE : EN 60601-1-2: 2015 + A1: 2021 (V4.1), EN 60601-1: 2007 + A1:2013 +A2:2021 (V3.2) EN 55032:2015/A1:2020 EN55035:2017/A1:2020(ITE) IEC62368-1:2020+A11:2020 (ITE) FCC : Part 15B/ Part 18 UL : ANSI AAMI ES60601-1:2005/A1:2012/A2:2021(V3.2) cUL : CAN/CSA-C22.2 No. 60601-1:14 (IEC 60601-1: 2005+A1:2012+A2:2020,MOD) (V3.2)
----------------	--

22" Fanless 9th Generation Core i7 Powerful Medical All in One PC

Dimension / Unit: mm



Ordering Information

- MATE-2205-P2-A1-0010
Medical Panel PC, 22" LCD, i7-9700TE, DC 12V, Capacitive Touch
- MATE-2205-P4-A1-0010
Medical Panel PC, 22" LCD, i5-9500TE, DC 12V, Capacitive Touch
- MATE-2205-P2-B1-0010
Medical Panel PC, 22" LCD, i7-9700TE, AC 80~264V, Capacitive Touch
- MATE-2205-P4-B1-0010
Medical Panel PC, 22" LCD, i5-9500TE, AC 80~264V, Capacitive Touch
- MATE-2205-P2-A2-0010
Medical Panel PC, 22" LCD, i7-9700TE, DC 12V, Capacitive Touch, Camera Shutter
- MATE-2205-P4-A2-0010
Medical Panel PC, 22" LCD, i5-9500TE, DC 12V, Capacitive Touch, Camera Shutter
- MATE-2205-P2-B2-0010
Medical Panel PC, 22" LCD, i7-9700TE, AC 80~264V, Capacitive Touch, Camera Shutter
- MATE-2205-P4-B2-0010
Medical Panel PC, 22" LCD, i5-9500TE, AC 80~264V, Capacitive Touch, Camera Shutter

Optional Accessories

- 1255301205
Medical Power Adapter, 120W, 12V
- OPM-R03X-A1
PCI Express[x1] Riser Kit
- OPM-R04X-A1
PCI Express[x4] Riser Kit
- OPM-C12W-A6
WLAN Kit, IEEE 802.11a/b/g/n/ac + Bluetooth 4.1
- OPM-C15W-A6
WLAN Kit, IEEE 802.11a/b/g/n/ac + Bluetooth 5
- OPM-S03C-A1
Smart Card Reader Kit
- OPM-P09C-A5
25Wh Backup Battery
- OPM-C02C-A1
Two Isolated RS-232 & One Isolated USB 2.0 PCIe Card
- OPM-C02C-A2
Two Isolated RS-232 PCIe Card
- OPM-T013-A1
Slim Slot-in DVD-RW Drive
- OPM-T017-A2
Hot Swap Rack w/Lock Kit for 2.5" HDD/SSD
- OPM-S07R-A5
RFID Reader Kit
- OPM-T004-A3
5MP Camera with Mic