

## Mobile Medical Tablet

# MD116/MD116I

12" Fanless Intel ATOM / i5 Medical Tablet



## Features

- Intel® Apollo Lake processor / Sky Lake U processor / Kaby lake U processor
- Dual hot-swappable batteries for 24/7 operation
- Dual smart card readers for multiple-care workflow
- Standard USB Type-A and RJ45 for easy connection to medical devices
- IP54 certified & 3 feet drop resistant
- ORION client compatible
- Instant vehicle docking system
- Automotive Directive and EN1789 certified for ambulances/medical transportation vehicles

## Specifications

Main Specifications	MD116	MD116I
Processor	Intel® Apollo Lake Processor	Intel® Kaby Lake Core i5 U Processor
System Memory	DDR3L SO-DIMM x1, Default 4 GB (Up to 8 GB)	DDR4 SO-DIMM x1, Default 4 GB (Up to 16 GB)
OS Support	Microsoft® Windows 10 IOT LTSC	
Storage	M.2 Interface x1, Default 64 GB	
Wireless Communication	802.11 a/b/g/n + BT4.0 (Optional)	
Camera	2 MP (Front) / 5 MP (Rear) (optional)	
Touchscreen	Projected Capacitive Touchscreen, w/Gorilla Glass	
Digital Accelerometer	ADI ADXL345	
Ambient Light Sensor	TAOS TSL2581	
LTE+GPS	Sierra EM7455x 2 (Optional)	Sierra EM7455 x 1 (Optional)
Function Keys	x2	
LED Indicators	x2	
Speaker	2W x1	
Internal Mic	x1	
Power Requirement	DC 12V	
Security	Smart Card Reader x2, RFID x1 (optional)	

### Display

Display Size	11.6" 16:9 Widescreen LED Panel	
Resolution	FHD 1920 x 1080	
Max. Colors	16.7M	
Contrast Ratio	800:1	
Luminance (cd/m2)	300nits	600nits

### I/O

USB	USB 3.0 (Type-A) x1, USB 2.0 (Type-A) x1	
Ethernet	Gigabit LAN x1	
DC-In	DC-In Jack x1	
Docking	Docking Connector x1	

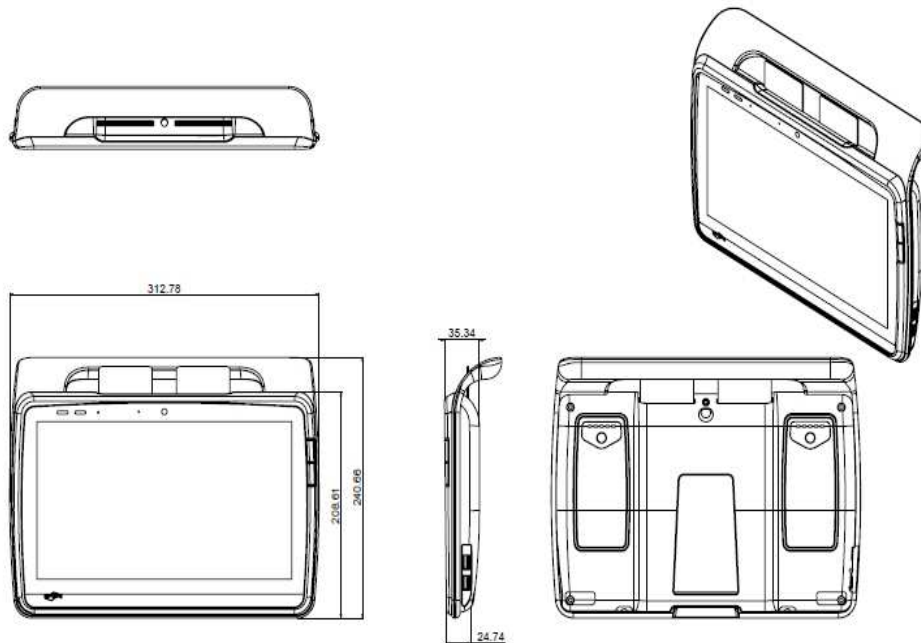
### Battery Pack

Battery Type	Li-ion	
Battery Capacity	4545 mAh (32.72Wh) x2	
Battery Run Time	Approx. 8 hrs	Approx. 3.5 hrs

### Mechanical and Environmental

VESA	VESA 75 via docking station	
Degree of Protection	IP54	
Operating Temperature	0° C – 40° C (32° F – 104° F)	0° C – 35° C (32° F – 95° F)
Storage Temperature	-20° C – 60° C (-4° F – 140° F)	
Storage Humidity	10%–95%@40°C, non-condensing	
Dimensions	312 (W) x 239 (H) x 37 (D) mm	
Packing Size	400 x 345 x 160 mm	
Gross Weight	3 kg (6.6 lb)	
Net Weight	Approx. 1.45–1.8 kg (3.2 lb–3.97 lb)	
Certifications	CE: EN 60601-1-2:2015(V4.0), EN 60601-1:2006/A1:2013(V3.1)	
	EN 300 328 (V2.1.1), EN 301 893 (V2.1.1)	
	FCC: Part 18 Class B, Part 15 C/E	
	UL: ANSI/AAMI ES60601-1:2012 (V3.1)	

## Dimensions / Unit: mm



## Ordering Information

- » ONYX-MD116ST-A1-1010  
Tablet.N4200.11.6".FHD.300nits.C-TS(G).4G RAM.M.2 64GB.F/R-Camera.SCR.RFID.WiFi/BT.Battery
- » ONYX-MD116ST-A1-1011  
Tablet.N4200.11.6".FHD.600nits.C-TS(G).4G RAM.M.2 64GB.F/R-Camera.SCR.RFID.WiFi/BT.Battery
- » ONYX-MD116ST-A1-1012  
Tablet.N4200.11.6".FHD.300nits.C-TS(G).4G RAM.M.2 64GB.WiFi/BT.Battery (NURSE CART)
- » ONYX-MD116I-P62-A1-0001  
Tablet.i5-6200U.11.6".FHD.300nits.C-TS(G).F/R-Camera.SCR.RFID.WiFi/BT.Battery(x2)
- » ONYX-MD116I-P62-A1-0002  
Tablet.i5-6200U.11.6".FHD.600nits.C-TS(G).F/R-Camera.SCR.RFID.WiFi/BT.Battery(x2)
- » ONYX-MD116I-P73-A1-0001  
Tablet.i5-7300U.11.6".FHD.300nits.C-TS(G).F/R-Camera.SCR.RFID.WiFi/BT.Battery(x2)
- » ONYX-MD116I-P73-A1-0002  
Tablet.i5-7300U.11.6".FHD.600nits.C-TS(G).F/R-Camera.SCR.RFID.WiFi/BT.Battery(x2)
- » ONYX-MD116I-P62-A1-0003  
Tablet.i5-6200U.11.6".FHD.300nits.C-TS(G).WiFi/BT.Battery(x2). (NURSE CART)
- » ONYX-MD116I-P73-A1-0003  
Tablet.i5-7300U.11.6".FHD.300nits.C-TS(G).WiFi/BT.Battery(x2). (NURSE CART)

## Optional Accessories

- » 1255200900  
Medical Adaptor.AC/DC.100-240V.1.5A.12V/ 7.5A,90W.
- » OPM-S08R-A1  
RFID Reader Kit. for MD116 Series
- » OPM-V05C-A1  
2MP-5MP Camera with Mic Kit. for MD116 Series
- » OPM-T030-A1  
Smart Card Reader Kit. for MD116 Series
- » OPM-A001-A1

# MD116 Accessory Selection

## Vehicle Dock OPM-T016-A3



### Specifications

Description	Vehicle Dock
Input Power	12V
Installations	VESA 75
IO	2x USB 2.0 Type-A 1x RJ45 1x Line Out 1x Phoenix Port 1x DC In Jack
LED Indicator	N/A
Dimensions	236.89 x 293.03 x 88.22mm
Weight	800g
Operating Temperature	0°C ~ 40°C(32°F ~ 104°F)
Storage Temperature	-20°C ~ 60°C(-4°F ~ 140°F)

### Optional Accessories

- » OPM-T016-A3  
MD116 Vehicle Docking Plus . USB x2 /LAN / Line out

## VESA Cradle OPM-T021-A1



### Specifications

Description	VESA Cradle
Input Power	N/A
Installations	VESA 75
IO	N/A
LED Indicator	N/A
Dimensions	206.69 x 196.64 x 87.8mm
Weight	395g
Operating Temperature	0°C ~ 40°C(32°F ~ 104°F)
Storage Temperature	-20°C ~ 60°C(-4°F ~ 140°F)

### Optional Accessories

- » OPM-T021-A1  
MD116 VESA Cradle

Mobile Medical Tablet

# MD116 Accessory Selection

## Office Dock

OPM-T022-A1



### Specifications

Part Number	OPM-T022-A1
Description	Office Dock
Input Power	12V
Installations	Stationary
IO	2x USB 2.0 Type-A 1x RJ45 1x RS-232 1x DC-In
LED Indicator	Steady Green: Connection LED Off: Disconnection
Dimensions	354 x 117 x 78.2mm
Weight	1060g
Operating Temperature	0°C ~ 35°C(32°F ~ 95°F)
Storage Temperature	-20°C ~ 60°C(-4°F ~ 140°F)

### Optional Accessories

- » OPM-T022-A1  
MD116 Office Dock

## Battery Charger

UP-M62



### Specifications

Description	Battery Charger
Input Power	24V
Installations	Stationary
IO	1x Micro USB (Client) 1x DC-In
LED Indicator	Flickering Blue: Battery Charging Steady Blue: Battery Fully Charged Flickering Purple Green: Error
Dimensions	245.95 x 124.64 x 143.65mm
Weight	860g
Operating Temperature	0°C ~ 35°C(32°F ~ 95°F)
Storage Temperature	-20°C ~ 60°C(-4°F ~ 140°F)

### Optional Accessories

- » UP-M62-A1-1010  
MD116 6-slots Charger