

## Medical Cart Computer

# Venus-223-AMD

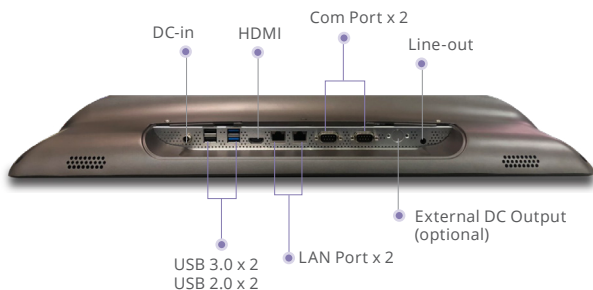
21.5" Dual Hot Swappable Battery Medical Cart Computer



Battery x 1      Battery x 1  
 USB 3.0 x 2      Smart Card Reader x 1



Battery x 1      Battery x 1  
 USB 3.0 x 2      Smart Card Reader x 1



DC-in      HDMI      Com Port x 2      Line-out  
 External DC Output (optional)  
 USB 3.0 x 2      LAN Port x 2  
 USB 2.0 x 2

## Features

- Medical grade certified (EN60601-1/UL60601-1)
- Cleanability with hospital solvents (front IP65/rear IPX1)
- Hot swappable design, support 24/7 run time
- AMD Ryzen™ V1202B / V1605B
- Support remote monitor/control/update (ORION compatible)
- Lightweight design
- Front reading light bar

## Specifications

### Main Specifications

Processor	AMD Ryzen™ V1202B / V1605B
System Memory	Up to DDR4 32GB
OS Support	Microsoft® Windows 10 pro (64bit) Microsoft® Windows 10 IOT Enterprise (64bit) Ubuntu 18.04 LTS
Storage	Up to 512 GB
Wireless Communication	802.11 ac/a/b/g/n + BT 4.0 (optional)
Touch	PCAP, R-TS(optional)
Speaker	2W x2
Security	TPM2.0 SmartCard Reader RFID ISO 15693 / 14443A (optional)

### Display

Display Size	21.5" VA panel
Resolution	1920 x 1080
Max. Colors	16.7M
Contrast Ratio	3000:1
Luminance (cd/m2)	250

### I/O

USB	Rear I/O : USB 3.0 x2, USB 2.0 x2 Side I/O : USB 3.0 x2
Video Out	HDMI
COM	COM port x2 (isolated optional)
Audio	Combo Audio port x1
Security	Kensington slot
Ethernet	1kv isolated Gigabit LAN x 2
DC-in	24V 2.5mm DC connector x1

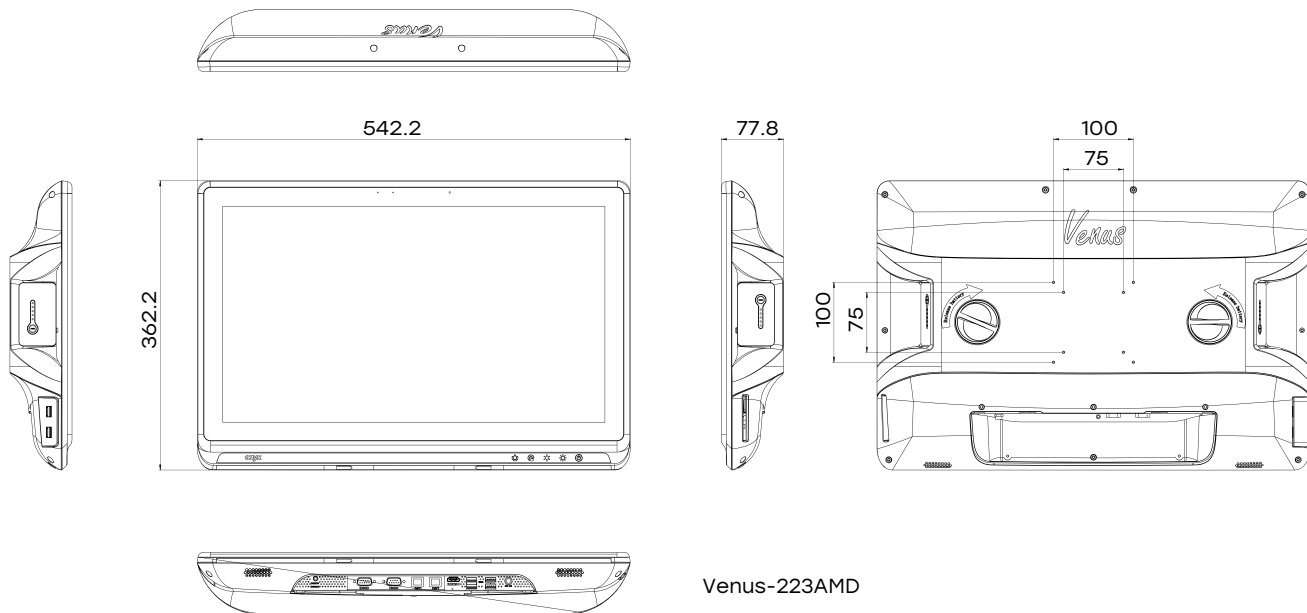
### Mechanical and Environmental

VESA	75/100 mm VESA mount
Operating Temperature	0°C ~ 40°C(32°F ~ 104°F)
Storage Temperature	-20°C ~ 60°C(-4°F ~ 140°F)
Storage Humidity	10%~95%@40°C, non-condensing
Degree of Protection	Front Panel: IP65 ; Rear: IPX1
Dimension	542(L) x 78(W) x 362(H) mm
Net Weight	7kg (15.4 lbs)
Packing Size	645(L) x 210(W) x 513(H) mm
Gross Weight	11kg (24.3 lbs)
Certifications	CE: EN 60601-1-2:2015(V4.0), EN 60601-1:2006/ A1:2013(V3.1) FCC: Part 18 Class B UL: ANSI/AAMI ES60601-1:2012 (V3.1) cUL: CAN/CSA-C22.2 No. 60601-1:2014 (V3.1)

ALL PRODUCT, PRODUCT SPECIFICATIONS AND DATA ARE SUBJECT TO CHANGE WITHOUT NOTICE TO IMPROVE RELIABILITY, FUNCTION OR DESIGN OR OTHERWISE.

## 21.5" Dual Hot Swappable Battery Medical Cart Computer

### Dimension / Unit: mm



Venus-223AMD



### Ordering Information

- » VENUS-223-G12-A1-0402  
Cart Computer.AMD V1202B. 22".4G RAM.SCR.TPM.XL Battery x2

### Optional Accessories

- » 1255301501  
Medical Adaptor. 100-240V/1.0-2.5A 24V/6.25A 150W
- » OPM-S02R-A0  
RFID Reader Kit
- » OPM-C10W-A8  
WLAN dual band module kits. INTEL 802.11ac/a/b/g/n+BT
- » OPM-C12W-A8  
WLAN dual band module kits. Atheros 802.11a/b/g/n + BT 4.0
- » UP-L62-A1-1010  
6-Slot Charger + 24V/250W adaptor
- » UP-P22-A2-1010  
2-Slot Charger + 24V Medical adaptor
- » OPM-V01C-02  
2MP Camera Kit with Mic
- » OPM-V02C-01  
5MP Camera Kit