

Medical Cart Computer

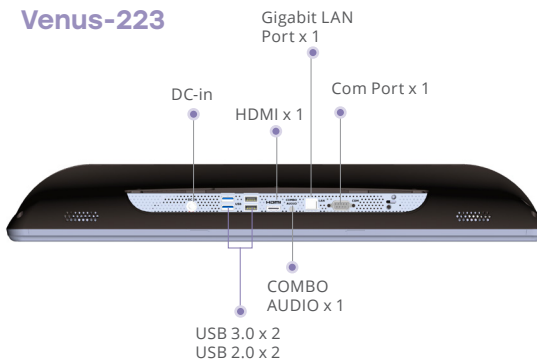
Venus-223 / Venus-222

21.5" Dua Hot Swappable Battery Medical Cart Computer

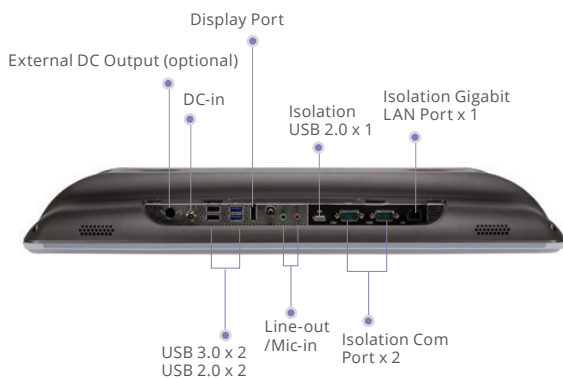


Battery x 1 Battery x 1
 USB 3.0 x 2 Smart Card Reader x 1

Venus-223



Venus-222



Features

- Highest level of medical safety protection
- Cleanability with hospital solvents (front IP65)
- Hot swappable design, support 24/7 run time
- Intel® Skylake Dual-Core i5 / Quad-Core J1900
- Support remote monitor/control/update (ORION compatible)
- Lightweight design
- Front reading light bar

Specifications

Main Specifications

	Venus-223	Venus-222
Processor	Intel® Skylake Dual-Core i5 /i7	Intel® Quad-Core J1900
System Memory	DDR4 up to 32GB	DDR3L up to 8G
OS Support	Microsoft® Windows 7 Microsoft® Windows 8.1 Microsoft® Windows 10 Ubuntu 18.04 LTS IGEL (thin client solution)	Microsoft® Windows 7 Microsoft® Windows 8.1 Microsoft® Windows 10 IGEL (thin client solution)
Graphics	Intel® HD Graphics 520	Intel® HD Graphics
Storage	SSD up to 512GB (optional)	
Wireless Communication	802.11 ac/a/b/g/n + BT 4.0 (optional)	
Camera	2MP/5MP camera (optional)	
Touch	PCT, R-TS (optional)	
Speaker	2W x2	
Security	TPM 2.0 Smart Card Reader, RFID ISO 15693/14443A (optional)	TPM 1.2

Display

Display Size	21.5" VA panel
Resolution	1920 x 1080
Max. Colors	16.7M
Contrast Ratio	3000:1
Luminance (cd/m2)	250

I/O

USB	Rear I/O : USB 3.0 x2, USB 2.0 x2 Side I/O : USB 3.0 x2	Rear I/O : USB 3.0 x2, USB 2.0 x2, Isolated USB x1 Side I/O : USB 3.0 x2
Video Out	HDMI 1.4 x1	DP x1
COM	COM port x1	Isolated COM port x2
Audio	Combo audio port x1	Mic-in x1, Audio-out x1
Security	Kensington slot	N/A
Ethernet	Gigabit LAN x1	
DC-in	24V DC-in x1	

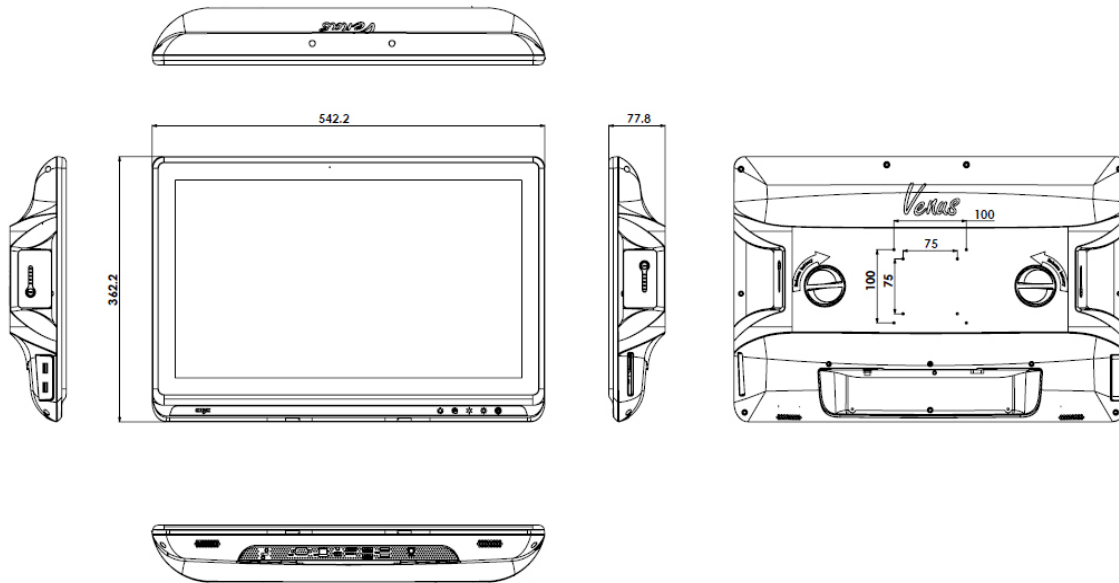
Mechanical and Environmental

VESA	75/100 mm VESA mount
Operating Temperature	0°C ~ 40°C (32°F ~ 104°F)
Storage Temperature	-20°C ~ 60°C (-4°F ~ 140°F)
Storage Humidity	10%~95%@40°C, non-condensing
Degree of Protection	Front Panel: IP65 ; Rear: IPX1
Dimension	542(L) x 78(W) x 362(H) mm
Net Weight	7kg (15.4 lbs)
Packing Size	645(L) x 210(W) x 513(H) mm
Gross Weight	11kg (24.3 lbs)
Certifications	CE: EN 60601-1-2:2015(V4.0), EN 60601-1:2006/ A1:2013(V3.1) FCC: Part 18 Class B UL: ANSI/AAMI ES60601-1:2012 (V3.1) cUL: CAN/CSA-C22.2 No. 60601-1:2014 (V3.1)

ALL PRODUCT, PRODUCT SPECIFICATIONS AND DATA ARE SUBJECT TO CHANGE WITHOUT NOTICE TO IMPROVE RELIABILITY, FUNCTION OR DESIGN OR OTHERWISE.

21.5" Dual Hot Swappable Battery Medical Cart Computer

Dimension / Unit: mm



Ordering Information

- » VENUS-223ST-A5-1010
Cart Computer. i5 22". Fanless. PCT. 4G RAM. SCR. TPM. XL Battery x2
- » VENUS-223ET-A7-1010
Cart Computer. i7. 22". Fanless. R-TS. 4GB RAM. SCR. TPM. XL . Battery x2
- » VENUS-222ET-A1-1010
Cart Computer. J1900. 22". Fanless. R-TS. 4GB RAM. SCR. TPM. Battery x2

Optional Accessories

- | | |
|--|--|
| <ul style="list-style-type: none"> » 1255301501
Medical Adaptor. 100-240V/1.0-2.5A 24V/6.25A 150W » OPM-S02R-A0
RFID Reader Kit » OPM-C10W-A8
WLAN dual band module kits. INTEL 802.11ac/a/b/g/n+BT » OPM-C12W-A8
WLAN dual band module kits. Atheros 802.11a/b/g/n + BT 4.0 » UP-L62-A1-1010
6-Slot Charger + 24V/250W adaptor | <ul style="list-style-type: none"> » UP-P22-A2-1010
2-Slot Charger + 24V Medical adaptor » OPM-V01C-02
2MP Camera Kit with Mic » OPM-V02C-01
5MP Camera Kit |
|--|--|