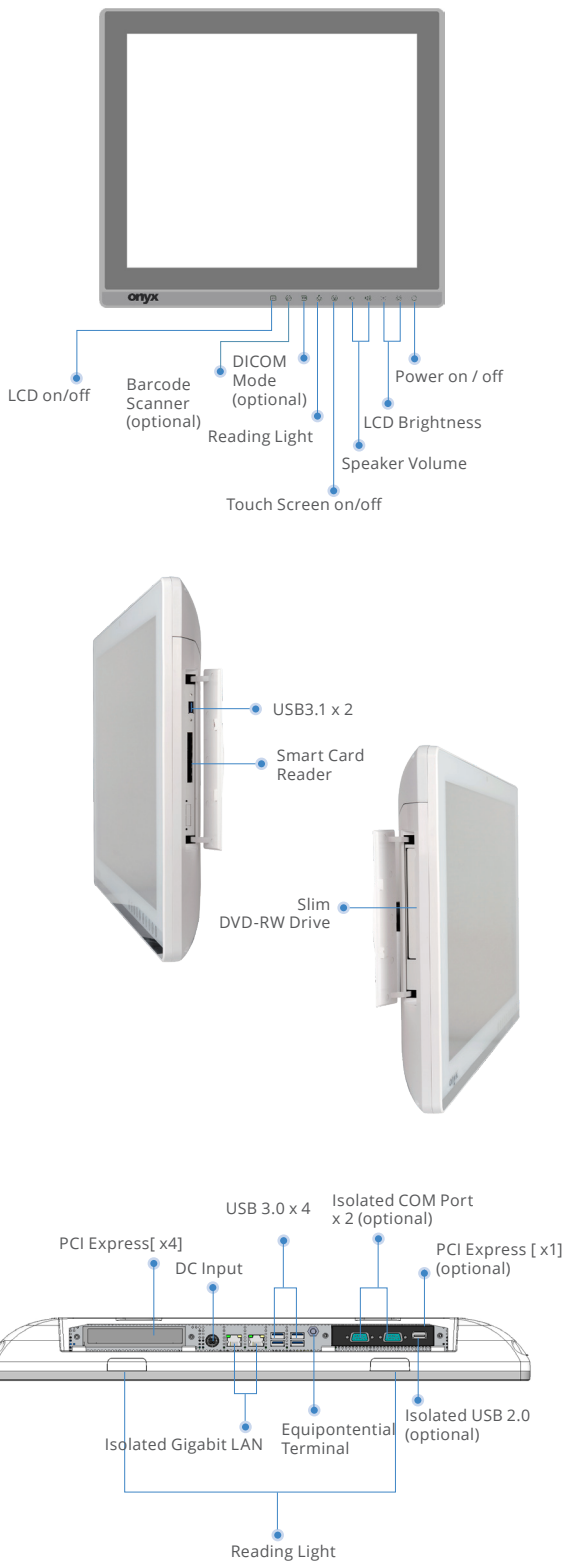


ZEUS-198

19" Fanless 7th Generation Core i7 Professional Medical All in One PC



Features

- Intel® 7th Generation Core i7-7600U 3.9GHz Dual Core Processor
- 19" 250-nit SXGA LCD
- Supports DDR4 SODIMM up to 32GB
- Capacitive Multi-Touch Screen / 5 Wire Resistive Touch Screen
- Easy Cleaning Flat Screen
- 10 Programmable Smart Function Keys with Dual Colors LED Status Indication
- LAN/USB(optional)/COM(optional) Medical Isolation
- Super Speed 10Gb/s USB 3.1 Port
- PCI Express[x4] x 1, PCI Express[x1] , PCI x1(optional)
- Trusted Platform Module / Smart Card Reader(optional) / RFID Reader (optional)
- Remote Management: Intel Active Management Technology
- +12V to +24V wide range DC input
- 25Wh Backup Battery(optional)

Specifications

Main Specifications

Processor	Intel® 7th Generation Core i7-7600U 3.9GHz Dual Core
System Memory	DDR4 SODIMM up to 32GB
Expansion	PCI Express[x4] x 1, PCI Express[x1] , PCI x1(optional) 2.5" SATA Hard Disk Drive/SSD x 1
Storage Disk Drive	Slim DVD-RW Drive x 1(optional) M.2 SSD x 1
Security	Trusted Platform Module, Smart Card reader(optional), RFID(optional)
Wireless Communication	802.11a/b/g/n/ac(optional), Bluetooth 4.1 (optional)
Speaker	5W x 2
Function Key	Speaker Volume Up/Down, LCD Brightness Up/Down, LCD On/Off, Touch Screen On/Off, DICOM Mode(optional), Reading Light On/Off
Power Requirement	DC 12~24V, 25Wh Back Up Battery(optional)
OS Support	Windows® 10, Linux®

Display

Size	19" LCD
Resolution	1280x1024
Luminance	250 nits
View Angle	170°(H)/160°(V)
Contrast Ratio	1000:1
Back Light Life Time	30,000 Hours
Touch Screen	Capacitive Multi-Touch/5-Wire Resistive

I/O

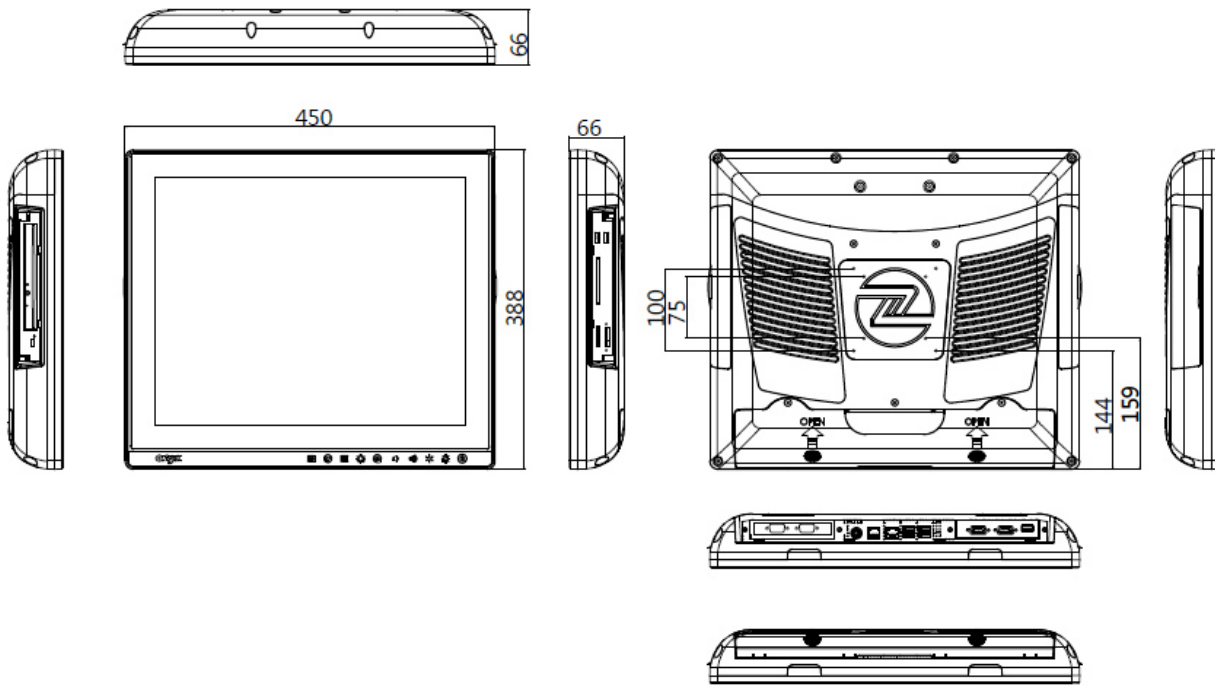
USB	USB 3.0 x 4, USB 3.1 x 2(in side I/O), Isolated USB 2.0 x1(optional)
Serial Port	Isolated RS-232 x 2(optional)
Ethernet	Isolated Gigabit LAN x 2
Audio	Mic(optional)/ Line out(optional)
Video Out	Display Port 1.2 x 1(optional)

Mechanical and Environmental

Power Consumption	Full Loading: 55 Watts
Operating Temperature	0°C ~ 40°C(32°F ~ 104°F)
Storage Temperature	-20°C ~ 60°C(-4°F ~ 140°F)
Mounting	VESA 75/100 mm
Degree of Protection	IP65 in the front, IP54 in the back
Dimension	450 x 388 x 66 mm
Package Size	640 x 220 x 520mm
Gross Weight	11 kg (24.25 lb)
Net Weight	7kg (15.43lb)
Certifications	CE: EN 60601-1-2:2015(V4.0), EN 60601-1:2006/A1:2013(V3.1) FCC: Part 18 Class B UL: ANSI/AAMI ES60601-1:2012 (V3.1) cUL: CAN/CSA-C22.2 No. 60601-1:2014 (V3.1)

19" Fanless 7th Generation Core i7 Professional Medical All in One PC

Dimension / Unit: mm



Ordering Information

- » ZEUS-198ST-A5-1010
i7-7600U.4GB RAM.19" LCD.12~24V DC.Capacitive Touch
- » ZEUS-198ST-A6-1010
i5-7300U.4GB RAM.19" LCD.12~24V DC.Capacitive Touch
- » ZEUS-198ET-A5-1010
i7-7600U.4GB RAM.19" LCD.12~24V DC.Resistive Touch
- » ZEUS-198ET-A6-1010
i5-7300U.4GB RAM.19" LCD.12~24V DC.Resistive Touch

Optional Accessories

- » 1255301202
Medical Power Adapter, 120W, 24V
- » OPM-C12W-A3
Mini Card WLAN Kit, IEEE 802.11a/b/g/n/ac + Bluetooth 4.1
- » OPM-T003-A5
Slim Slot-in DVD-RW Drive
- » OPM-T006-A1
Smart Card Reader Kit
- » OPM-P09C-A1
25Wh Backup Battery
- » OPM-C02C-A4
Two Isolated RS-232 PCIe Card
- » OPM-C02C-A3
One Isolated USB 2.0 + Two Isolated R-232 PCIe Card
- » OPM-V03B-A1
One Display Port + Two RS-232 Kit
- » OPM-V03B-A2
One Display Port Kit
- » OPM-T017-A3
Hot Swap Rack w/Lock Kit for 2.5" HDD/SSD
- » OPM-T012-A2
Two RS-232 Kit
- » OPM-V04B-A1
DICOM Kit
- » OPM-R02X-A1
PCI Express [X1] Riser Kit
- » OPM-R01P-A1
PCI Riser Kit
- » OPM-U01T-A1
Line-out/Line-in/Mic Kit
- » OPM-S07R-A7
RFID Reader- Kit