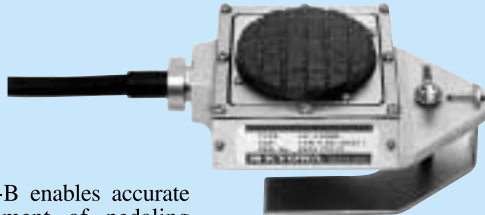


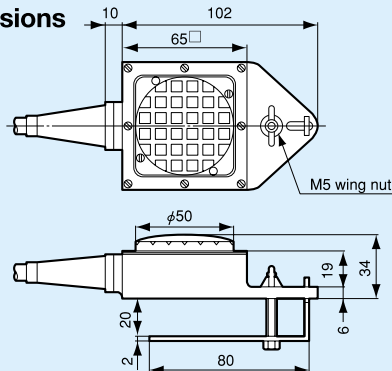
LP-B

Pedaling Force Transducers



The LP-B enables accurate measurement of pedaling force of an automobile, etc.

Dimensions



Features

- Easy installation and handling
- Minimal error between different pedaling modes

Specifications

Performance

Rated Capacity

- LP-50KB: 500 N (50.99 kgf)
- LP-100KB: 1 kN (102.0 kgf)
- LP-200KB: 2 kN (203.9 kgf)

Nonlinearity: Within $\pm 0.5\%$ RO

Hysteresis: Within $\pm 0.5\%$ RO

Repeatability: 0.5% RO or less

Rated Output: 1 to 2 mV/V (2000 to 4000 $\mu\text{m}/\text{m}$)

Environmental Characteristics

Safe Temperature Range: 0 to 50°C

Compensated Temperature Range: 10 to 40°C

Temperature Effect on Zero: Within $\pm 0.4\%$ RO/°C

Temperature Effect on Output: Within $\pm 0.1\%$ /°C

Electrical Characteristics

Safe Excitation Voltage: 15 VAC or DC

Recommended Excitation Voltage: 1 to 5 VAC or DC

Input Resistance: 350 $\Omega \pm 0.5\%$

Output Resistance: 350 $\Omega \pm 0.5\%$

Cable: 4-conductor (0.3 mm²) chloroprene shielded cable, 7.6 mm diameter by 5 m long; terminated with NDIS connector plug (Shield wire is connected to the chassis.)

Mechanical Properties

Safe Overload Rating: 120%

Weight: Approx. 1 kg